



SU

Measurement feature	Continuous measurement of large flowrates
Measurement range	1:200
Measurable water	City water, plant water, agricultural water
Meter connection method	Wafer type *1, *2
Body material	Stainless steel pipe
Flow path	Pipe structure

*1: Usable for agricultural water containing little foreign substances.

*2: The 250, 300 and 350mm nominal diameters are the flange (JWWA standard) type.

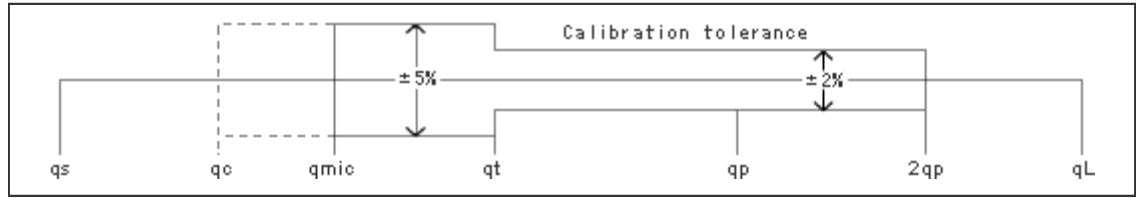
SU Series Overview

Item	Nominal diameter											
	50	65	75	100	125	150	200	250	300	350		
Flow-rate range	Max. flow-rate (2qp)(m ³ /h)	60	90	120	180	240	400	600	800	1000	1200	
	Standard flow-rate (qp)(m ³ /h)	30	45	60	90	120	200	300	400	500	600	
	Transitional flow-rate (qt)(m ³ /h)	6	9	12	18	24	40	60	80	100	120	
	Min. flow-rate (qmin)(m ³ /h)	0.9	1.35	1.8	2.7	3.6	6	9	12	15	18	
	Min. accurate flow-rate (qc)(m ³ /h)	0.3	0.45	0.6	0.9	1.2	2	3	4	5	6	
	Measurement starting flow-rate (qs)(m ³ /h)	0.15	0.23	0.3	0.45	0.6	1	1.5	2	2.5	3	
		The meter does not measure a flowrate less than the measurement starting flowrate (qs). The qs to qmin flowrate range is not within the calibration tolerance.										
	Max. limit flow-rate (qL)(m ³ /h)	70	120	160	280	440	650	1100	1140	1140	1200	
	The 2qp to qL flowrate range is not within the calibration tolerance.											
Pressure drop at max. flow-rate (MPa)	Not more than 0.02 at the upper limit flowrate of the flowrate range								0.03	0.035		
Working pressure (MPa)	Not more than 2 (Approx. 20kgf/cm ²)('P2' is printed on a register plate.)						Not more than 1 (Approx. 10kgf/cm ²)('P1' is printed on a register plate.)					
Display	Integrating flow (m ³)	999999.999					9999999.99					
	Instantaneous flow-rate (m ³ /h)	999.9					9999					
Meter weight (kg)	3.5	4	5	6	8	10	15	47	68	98		

Item			
Display	No-water warning mark	💧 mark lights	
	Low-battery alarm mark	🔋 mark flickers	
	Measurement stop alarm mark	🛑 mark lights	
Measured fluid	Suitable working temperature (°C)	0 to +30	
	Fluid conductivity rate (µs/cm)	50 or more	
Power supply and battery life	Lithium battery (Nominal 3.6V), battery life approx. 8 years (At average environmental temperature of 20°C)		
Environmental temperature range (°C)	-10 to +55 (The battery life is shortened at higher temperature.)		
Waterproof structure	IP68 (JIS C 0920)		
Piping method	Wafer type (Nominal diameter 250, 300 and 350mm are flange type; JWWA standard flange or JIS 10K standard flange.)		
Meter installation position	Free (Horizontal, vertical and inclined installation are possible.)		
External output	SU-GN type	No external output function (Only field display)	
	SU-GC type	Electronic statement signal for exclusive independent receiver (SR-4 type)	Transmitter: MX35 type
	SU-GM type	Open drain unit pulse signal	Transmitter: MX39 type

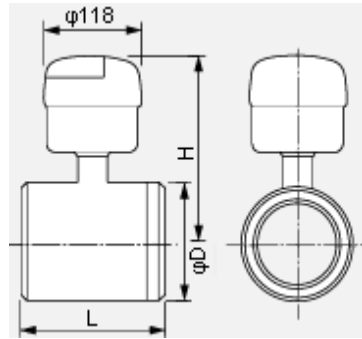
	SU-GL type	8-bit electronic statement signal (The signal widely diffused in Japan for water and gas meters), open drain unit pulse signal	Transmitter: MX38 type
--	------------	--	------------------------

Accuracy



External Dimensions

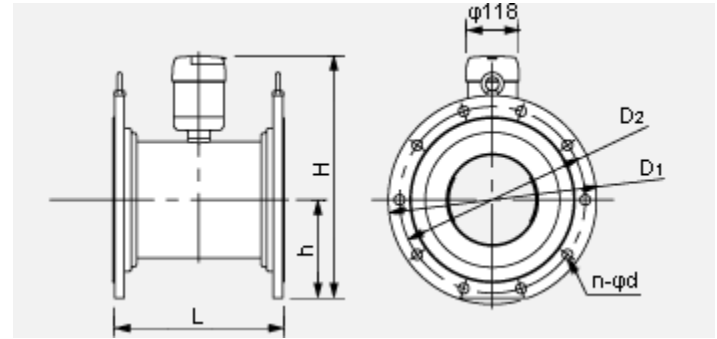
SU50 to 200



Nominal diameter	L	D	H
50	122	96	207
65	142	116	217
75	162	128	222
100	182	151	234
125	202	182	250
150	231	212	265
200	302	267	292

SU250 to 350

SU Series (250, 300, 350mm nominal diameter) flange dimensions



Nominal diameter	L	D1		D2		n-φd		H	h
		JWWA standard	JIS 10K	JWWA standard	JIS 10K	JWWA standard	JIS 10K		
250	330	410	400	360	355	8-23	12-25	485	193
300	380	464	464	414	400	10-23	16-25	510	218
350	420	530	530	472	445	10-25	16-25	540	248

(Units : mm)