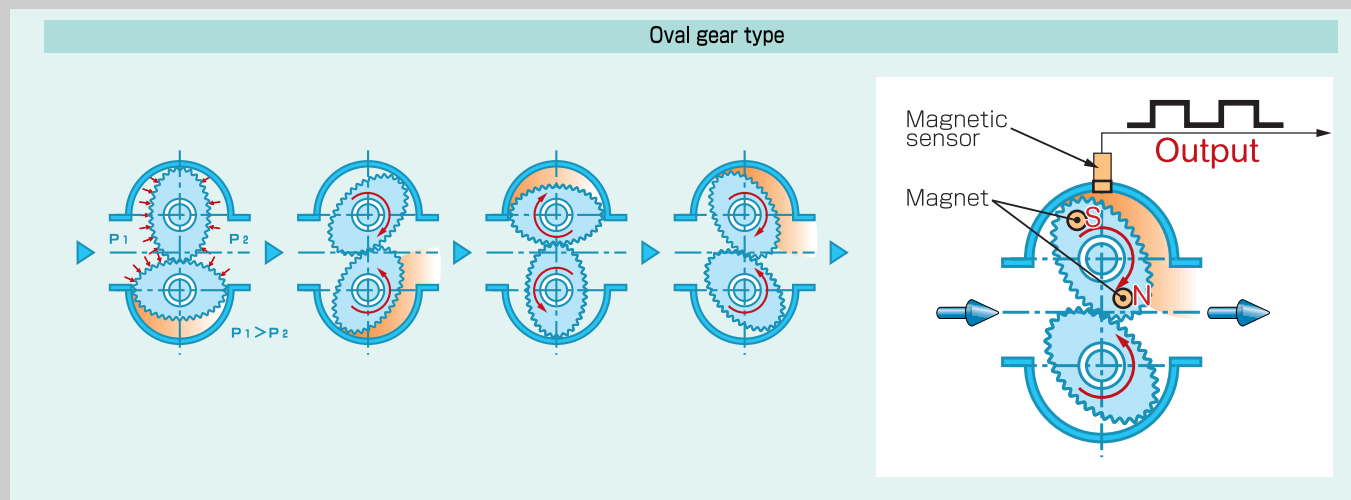
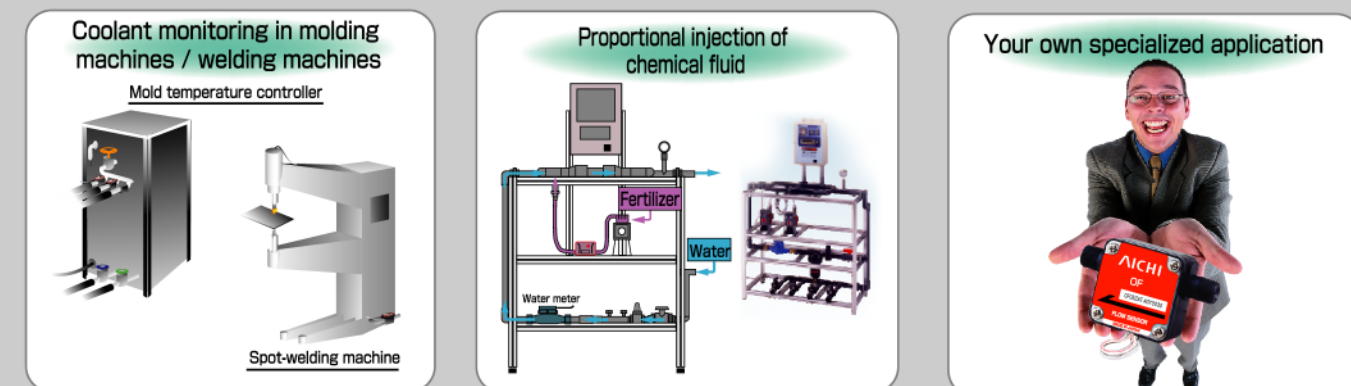


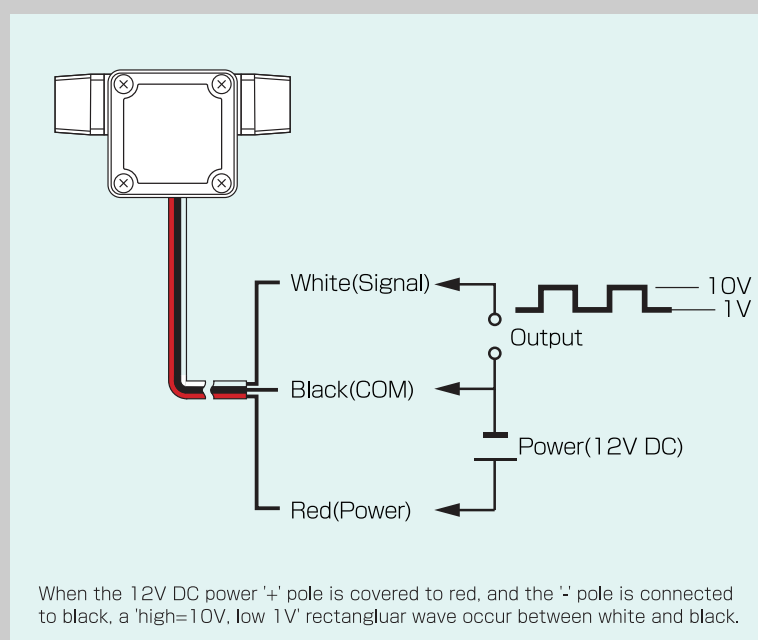
Measurement principle



Examples of use



Connection method



External dimensions

Unit : mm

Model	OF05	OF10
A	80	90
B	46.9	46.9
C	46.9	46.9
D	8	8.5
E	27.3	40.3



OF Series

Oval gear type flow sensor



- Excellent cost-performance
- Compact and lightweight
- Simple & durable structure
- High chemical resistance

Overview

Model	OF05ZAT-AR	OF05ZZT-AR	OF10ZAT-AR	OF10ZZT-AR
Measurable fluid	water, kerosene, light oil, heavy oil	water, acid, alkali, organic solvents, etc.	water, kerosene, light oil, heavy oil	water, acid, alkali, organic solvents, etc.
Accuracy	±2% RS (Note: ±1% RS is also available)			
Maximum operating pressure	0.5MPa			
Ambient operating temperature	-10 to 70°C			
Flow range (±1% RS)	0.3 - 0.8mPa·s --- 5 - 50L/h 0.8 - 2mPa·s --- 3 - 50L/h 2 - 5mPa·s --- 1 - 50L/h 5 - 200mPa·s --- 0.5 - 50L/h		0.3 - 0.8mPa·s --- 40 - 300L/h 0.8 - 2mPa·s --- 20 - 300L/h 2 - 5mPa·s --- 10 - 300L/h 5 - 200mPa·s --- 5 - 300L/h	
Pulse unit	0.46mL/P		2.5mL/P	
Power voltage	3 - 12V DC			
Output signal	Pulse Voltage			
Connection format	R1/4(External thread)		R1/2(External thread)	
Main materials	Rotor and case: PPS Resin O-ring: NBR Shaft: SUS304	Rotor and case: PPS Resin O-ring: FKM Shaft: SIC	Rotor and case: PPS Resin O-ring: NBR Shaft: SUS304	Rotor and case: PPS Resin O-ring: FKM Shaft: SIC
Weight(Approx.)	100g		140g	

Aichi Tokei Denki Co., Ltd.

No. 2 - 70, Chitose 1 - chome,
Atsuta - ku, Nagoya 456 - 8691
Japan
Tel : +81-52-661-5150
Fax : +81-52-661-6418
<https://www.aichitokeni.co.jp/eng/index.html>
E-mail: overseas@inet1.aichitokeni.co.jp



Specifications are subject to change without notice.
Printed in Japan (11/06)

Aichi Tokei Denki Co., Ltd.