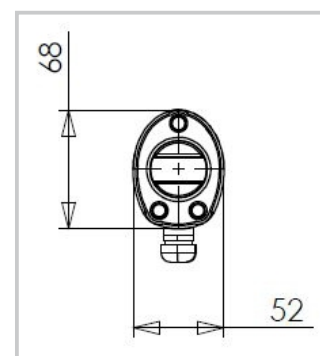
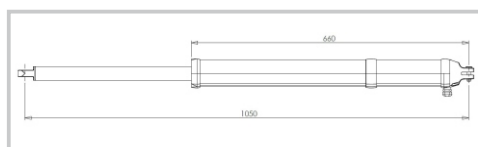
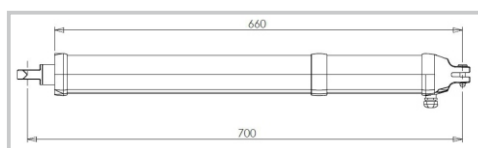


ALP-200



Advantages

- Simple and nice
- Quick installation
- Small dimensions
- Guaranteed quality
- Minimum maintenance

Technical characteristics

Power Supply	24Vdc
Motor power	25W
Current consumption	1A
Max thrust	1000N
Operating temperature range	-20 +60°C
IP Protection	IP44
Duty	50%
Weight	4kg



Via Selve, 2
25010 Isorella (BS)
Italy
Tel +39 030 9958294
www.andyourhome.com