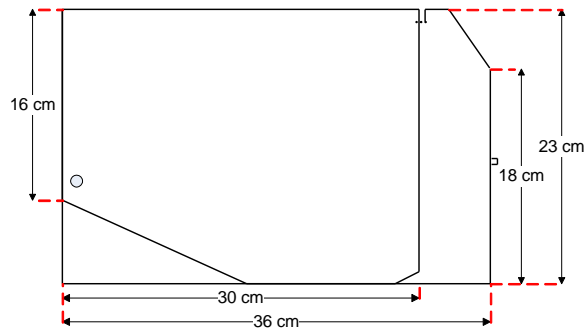
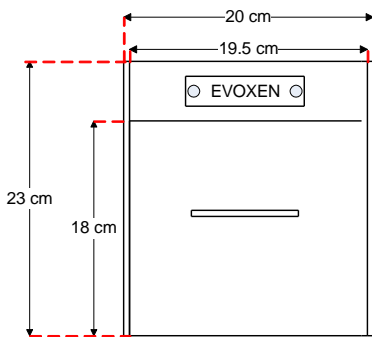


## Ticket Issuing Machine



Ticket Issuing Machine (TIM) is used normally for unattended parking (Autopay and central payment solution). It will be linked to CCS (central console Station) . TIM is used to generate lost, replacement ticket at parking office, and also to generate preprinted ticket (Flat rate)

Parking comes  
*alive*<sup>®</sup>



### Technical Specifications

Description	Data
Input Voltage	230V ± 10%
Chassis	Metal steel powder coated housing
Front Panel	Stainless steel with enclosed design protection
Ticket Type	Pre charge , Replacement ,Lost Ticket and all flat rate
Ticketing Technology	Thermal barcode technology
Ticket Printer	Embedded Industrial heavy duty thermal printer
Paper Dimensions	82.5± 0.5mm x dia. 254mm max

**EVOXEN**<sup>®</sup>  
EVOLUTIONARY EXCELLENCE ENCLOSED

[www.evoxen.com](http://www.evoxen.com)

Technologies and component described above are either covered by existing patents or patent applications are in progress  
All other brand and product names, photo are registered trademarks & copyrights of their respective owners.  
Evoxen acknowledge all third party trademarks in this document

Copyright © 2004 - 2015  
Evoxen Sdn Bhd.  
All rights reserved. V 7

Please contact:



Evoxen reserve the right to change specification without prior notice

Ticket Issuing Machine

